

Customizable Seat Cover

I, [REDACTED], have invented a new design for a customizable seat cover as set forth in the following specification:

FIG. 1 is a side view of a chair with seat cover on the back rest and the seat, as well as a drawstring with a cord lock attached to the back rest seat cover;

FIG. 2 is a bottom view thereof;

FIG. 3 is a rear view thereof;

FIG. 4 is a front perspective view thereof.

I claim: The ornamental design for a customizable seat cover as shown and described.

SAMPLE

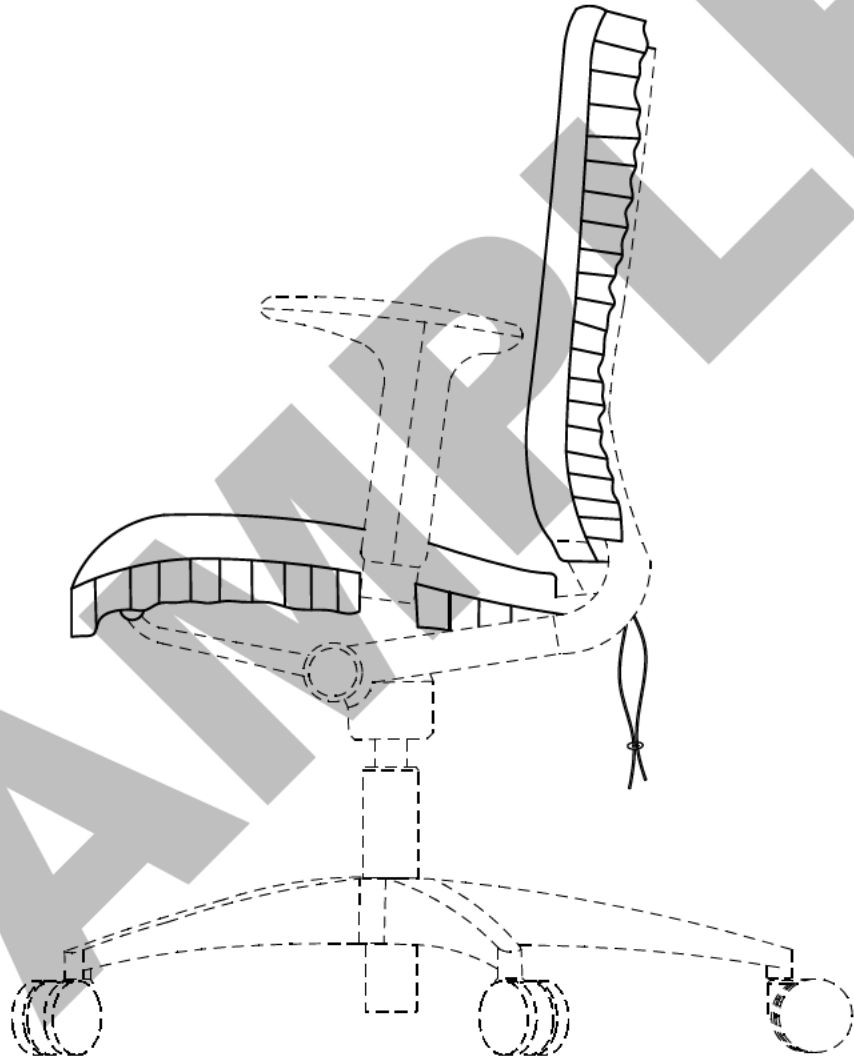


FIG. 1

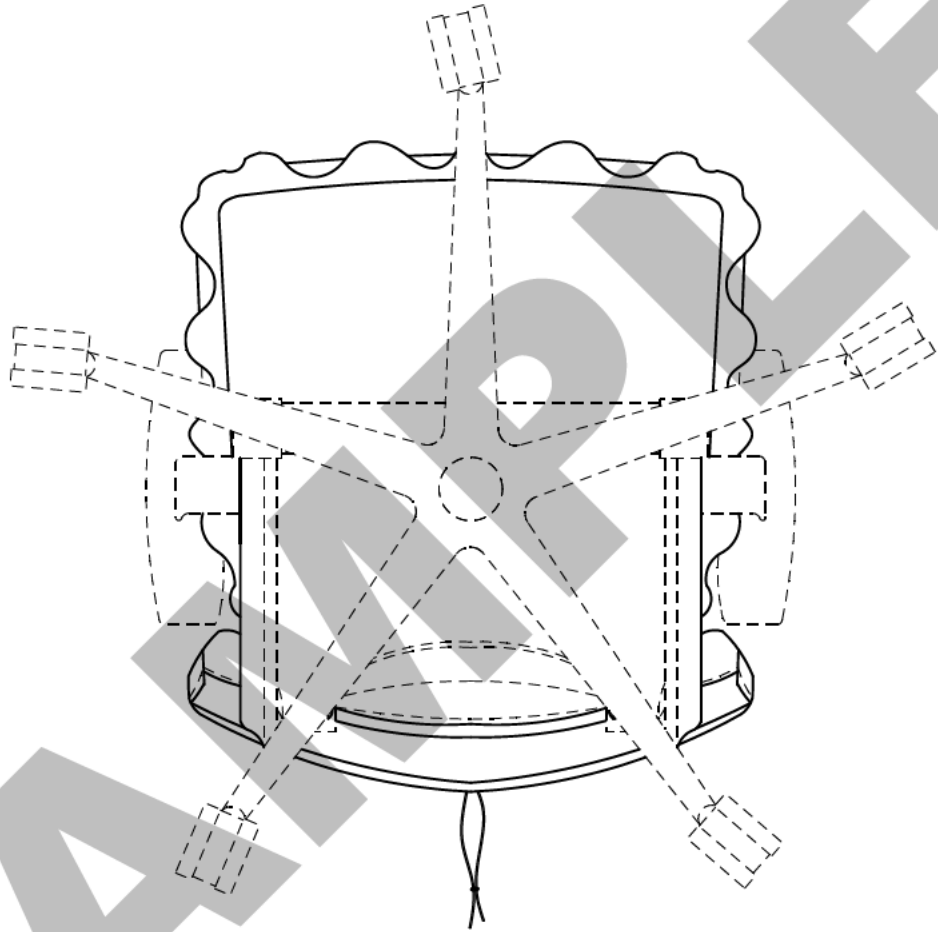


FIG. 2

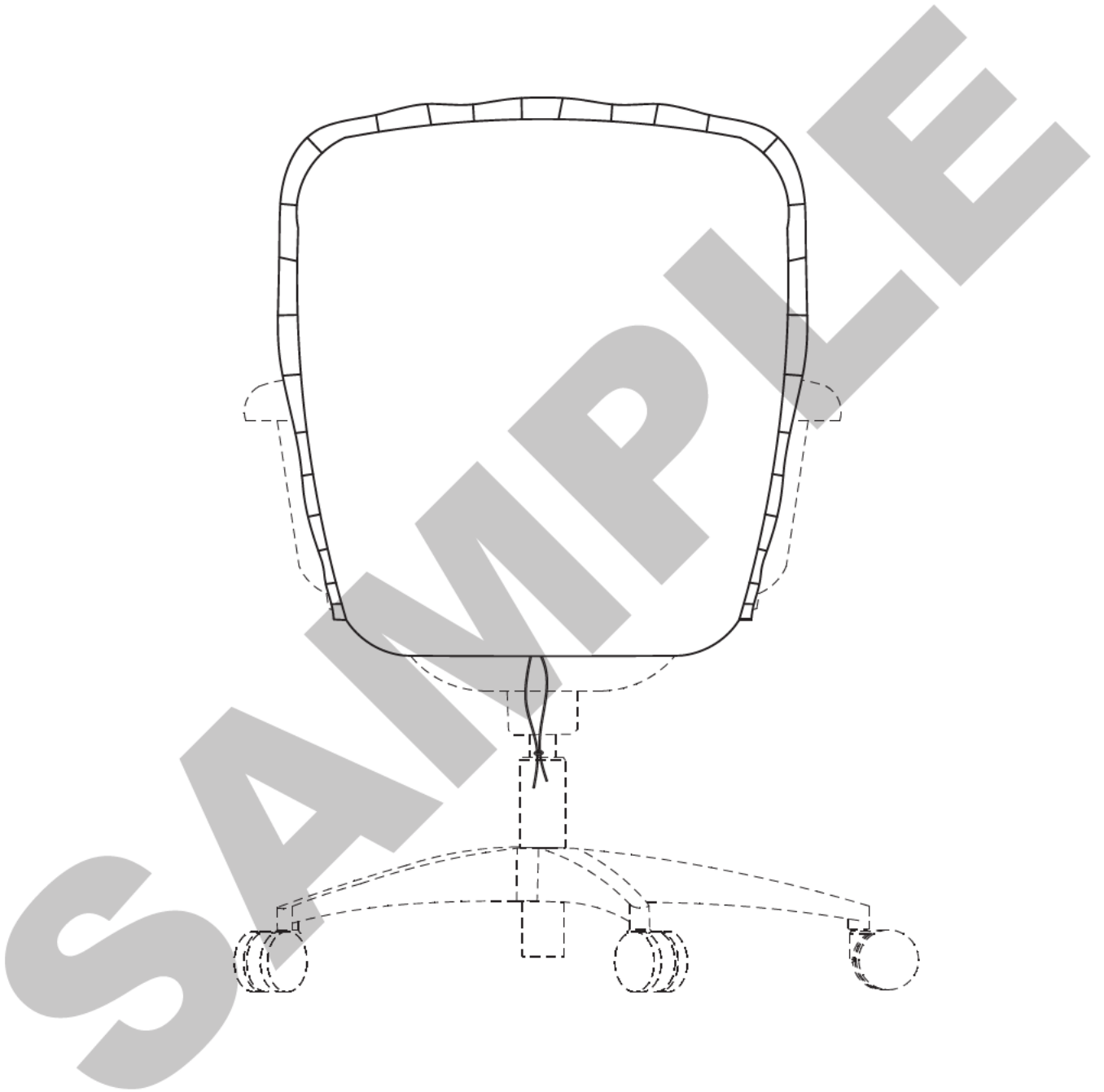


FIG. 3

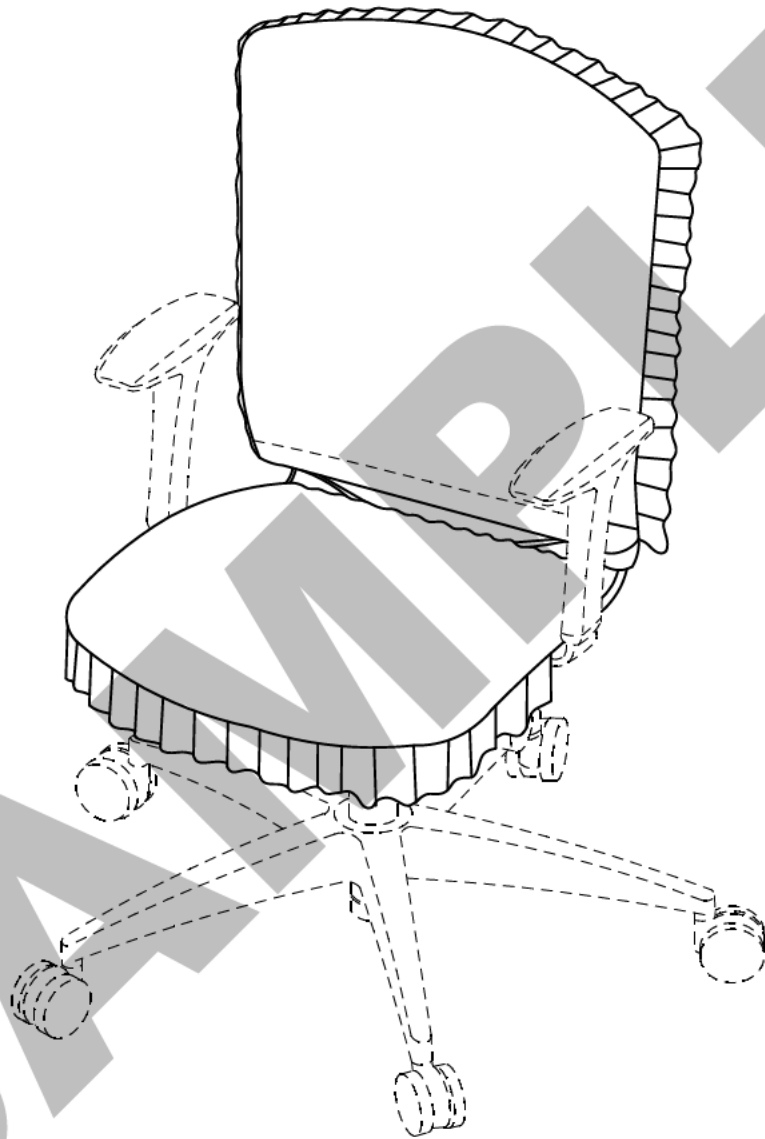


FIG. 4